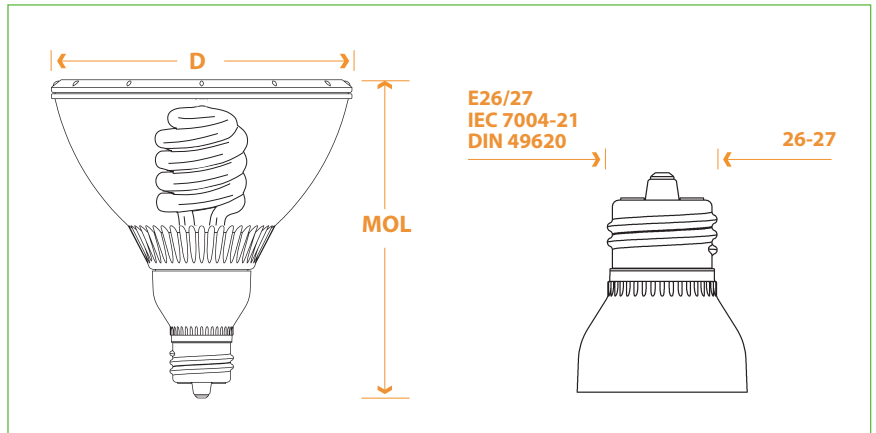


CFL-PAR™ 38

ELECTRONIC FLOODLIGHT

New! Product Information Bulletin



Technical Data

CFL-PAR™38 Electronic, NPF, Medium Base (E26/27), 120VAC- 50/60Hz, 8,000 Hours Average Life											HALOGEN-PAR 38		
Item Number	Watts	Input Line Current	Power Factor	THD	M.O.L. (Inch)	(D) Diameter (Inch)	Color Temp. (°K)	CRI	Lumens	Lm/W	Watts	Lumens	Lm/W
93826	26	0.39A	>0.50	<150%	5.875	4.75	2850	>82	1230	47	90	1230	14
93823*	23	0.35A	>0.50	<150%	5.375	4.75	2850	>82	1030	45	75	1030	14
93820*	20	0.30A	>0.50	<150%	5.375	4.75	2850	>82	930	47	65	930	14
93818*	18	0.27A	>0.50	<150%	5.375	4.75	2850	>82	800	44	60	800	13
93814*	14	0.21A	>0.50	<150%	5.375	4.75	2850	>82	630	45	45	630	14

APPLICATION INFORMATION: TO BE USED WITH TRACK LIGHTS • RECESSED CANS • WARDROBE CLOSETS • DRIVEWAYS • WALKWAYS • YARDS & GARDENS OPEN & TOTALLY ENCLOSED FIXTURES • USE WITH OCCUPANCY SENSORS MADE BY NEPTUN • AND MORE

Features and Benefits

- * New! Patented design for direct replacement of halogen Par38 lamps
- * Exact size as Halogen Par38
- * Saves up to 70% energy with comparable light output
- * Color Temperature of 2850°K: Interior Designer's Choice
- * 60° Floodlight Reflector
- * High Luminous Efficiency: Up to 47 Lm/W
- * Wide range of operation temperatures: 0°F - 120°F
- * New! Patented Amalgam Technology: Any working position with stable light output
- * Superior Lumen Maintenance of above 80% after 3,200 hours of use
- * Electronic ballast with End of Life Protection
- * Indoor or Outdoor

NEPTUN LIGHT, Inc.
 service@neptunlight.com
 Tel. 1-847-735-8330
 Toll-Free: 1-888-735-8330



© Copyright 2008 NEPTUN LIGHT, Inc.