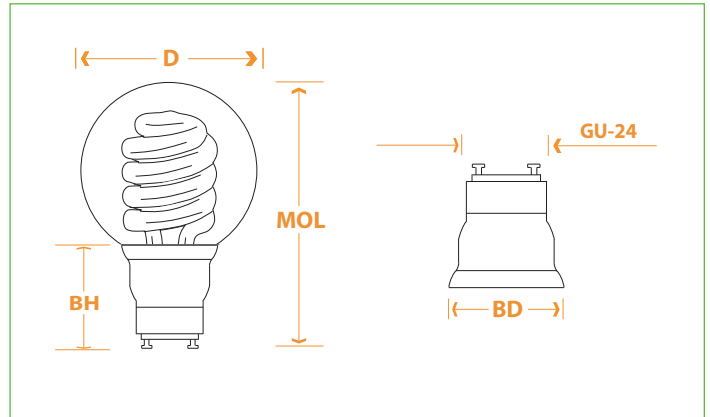


CFL-G25™ & CFL-G20™ ELECTRONIC FLOODLIGHT

New! Product Information Bulletin GU-24 TYPE



Technical Data

CFL-G25™ & CFL-G20™ Electronic, NPF, GU-24 Base, 120VAC- 50/60Hz, 8,000 Hours Average Life

Incandescent equivalent

Item Number	Watts	Input Line Current	Power Factor	THD	M.O.L. (Inch)	D (Inch)	BD (Inch)	BH (Inch)	Color Temp. (°K)	CRI	Lumens	Lm/W	Watts	Lumens	Lm/W
62520-GU	20	0.300 A	>0.50	<150%	5.12	3.15	1.57	2.35	2750	>82	1100	55	85	1230	14
62516-GU	16	0.240 A	>0.50	<150%	5.12	3.15	1.57	2.35	2750	>82	900	56	70	950	14
62514-GU	14	0.190 A	>0.50	<150%	5.12	3.15	1.57	2.35	2750	>82	800	57	60	780	13
62016-GU	16	0.240 A	>0.50	<150%	5.12	3.15	1.57	2.35	2750	>82	900	56	70	950	14
62014-GU	14	0.190 A	>0.50	<150%	4.72	2.75	1.57	2.35	2750	>82	800	57	60	780	13
62009-GU	9	0.140 A	>0.50	<150%	4.72	2.75	1.57	2.35	2750	>82	450	50	35	500	14

APPLICATION INFORMATION: TO BE USED WITH TABLE LAMPS • PENDANT LAMPS • DESK LAMPS • TRACK LIGHTS • RECESSED CANS • WARDROBE CLOSETS • OPEN & TOTALLY ENCLOSED FIXTURES • USE WITH OCCUPANCY SENSORS MADE BY NEPTUN • AND MORE

E26 / GU-24 ADAPTERS

Item Number	Description	Watts MAX.	Voltage	Line Current MAX.	Colors Available	Type
E 26 / GU-24-PL	E 26 / GU-24 Adapter	600	600	1 A	White	Permanent Locking
E 26 / GU-24-NL	E 26 / GU-24 Adapter	600	600	1 A	White	Non-Locking

Features and Benefits

- * Saves up to 70% energy with comparable light output
- * Color Temperature of 2850°K: Matching incandescent G lamps
- * High Luminous Efficiency: Up to 57 Lm/W
- * Wide range of operation temperatures: 0°F - 140°F
- * New! Patented Amalgam Technology: Any working position with stable light output
- * Superior Lumen Maintenance of 83% after 3,200 Hours of use



NEPTUN LIGHT, Inc.
service@neptunlight.com
Tel. 1-847-735-8330
Toll Free: 1-888-735-8330



© Copyright 2008 NEPTUN LIGHT, Inc.

