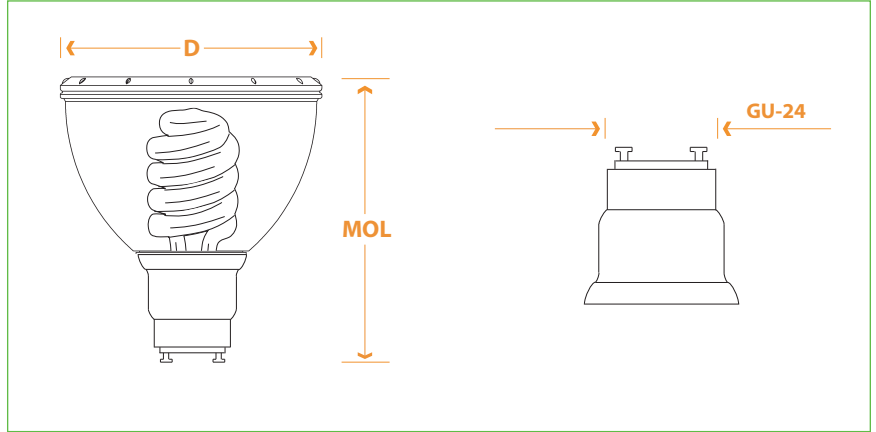


# CFL-PAR™ 30

## GU24 FLOODLIGHT

# New! Narrow Flood and Glare Free

## GU-24 TYPE



### Technical Data

CFL-PAR™ 30 Electronic, NPF, GU-24 Base, 120VAC- 50/60Hz, 8,000 Hours Average Life

HALOGEN-PAR 30

Item Number	Watts	Input Line Current	Power Factor	THD	M.O.L. (Inches)	(D) Diameter (Inches)	Color Temp. (°K)	CRI	Lumens	Lm/W	Watts	Lumens	Lm/W
93019-GU	19	0.28A	>0.50	<150%	4.625	3.75	2700	>82	800	45.0	60	800	13.3
93014-GU	14	0.21A	>0.50	<150%	4.625	3.75	2700	>82	630	45.0	45	630	14.0
93011-GU	11	0.16A	>0.50	<150%	4.625	3.75	2700	>82	500	45.0			

APPLICATION INFORMATION TO BE USED WITH TRACK LIGHTS • RECESSED CANS • WARDROBE CLOSETS • DRIVEWAYS • WALKWAYS • YARDS & GARDENS OPEN & TOTALLY ENCLOSED FIXTURES • USE WITH OCCUPANCY SENSORS MADE BY NEPTUN • AND MORE

### E26 / GU-24 ADAPTERS

Item Number	Description	Watts MAX.	Voltage	Line Current MAX.	Colors Available	Type
E 26 / GU-24-PL	E 26 / GU-24 Adapter	600	600	1 A	White	Permanent Locking
E 26 / GU-24-NL	E 26 / GU-24 Adapter	600	600	1 A	White	Non-Locking

### Features and Benefits

- \* New! Patented design for direct replacement of halogen Par30 lamps
- \* Exact size as Halogen Par30
- \* Saves up to 70% energy with comparable light output
- \* Color Temperature of 2700°K
- \* 60° Narrow Flood and Glare Free Reflector
- \* High Luminous Efficiency: Up to 50 Lm/W
- \* Wide range of operation temperatures: 0°F - 120°F
- \* New! Patented Amalgam Technology: Any working position with stable light output
- \* Superior Lumen Maintenance of above 80% after 6,000 hours of use
- \* Electronic ballast with End of Life Protection
- \* Indoor or Outdoor



NEPTUN LIGHT, Inc.  
 service@neptunlight.com  
 Tel. 1-847-735-8330  
 Toll Free: 1-888-735-8330



**NEPTUN**  
 LIGHT



© Copyright 2006 NEPTUN LIGHT, Inc.