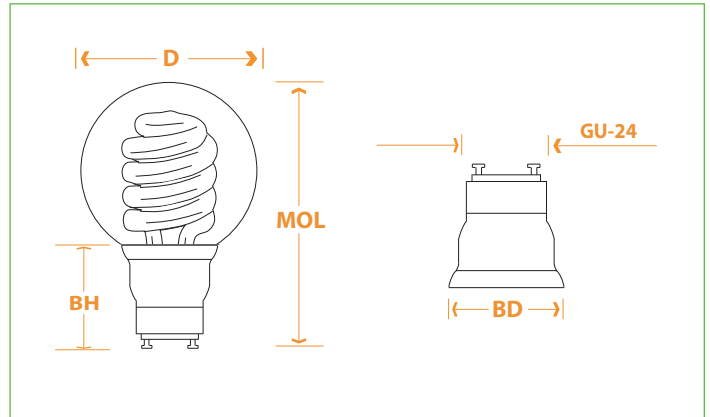


# CFL-G25™ & CFL-G20™

## GU-24 CFL-GLOBES

# New! Product Information Bulletin

## GU-24 TYPE



### Technical Data

CFL-G25™ & CFL-G20™ Electronic, NPF, GU-24 Base, 120VAC- 50/60Hz, 8,000 Hours Average Life

Incandescent equivalent

Item Number	Watts	Input Line Current	Power Factor	THD	M.O.L. (Inch)	D (Inch)	BD (Inch)	BH (Inch)	Color Temp. (°K)	CRI	Lumens	Lm/W	Watts	Lumens	Lm/W
62520-GU	20	0.300 A	>0.50	<150%	5.12	3.15	1.57	2.35	2700	>82	1100	55	85	1230	14
62516-GU	16	0.240 A	>0.50	<150%	5.12	3.15	1.57	2.35	2700	>82	900	56	70	950	14
62514-GU	14	0.190 A	>0.50	<150%	5.12	3.15	1.57	2.35	2700	>82	800	57	60	780	13
62016-GU	16	0.240 A	>0.50	<150%	5.12	3.15	1.57	2.35	2700	>82	900	56	70	950	14
62014-GU	14	0.190 A	>0.50	<150%	4.72	2.75	1.57	2.35	2700	>82	800	57	60	780	13
62009-GU	9	0.140 A	>0.50	<150%	4.72	2.75	1.57	2.35	2700	>82	450	50	35	500	14

APPLICATION INFORMATION: TO BE USED WITH TABLE LAMPS • PENDANT LAMPS • DESK LAMPS • TRACK LIGHTS • RECESSED CANS • WARDROBE CLOSETS • OPEN & TOTALLY ENCLOSED FIXTURES • USE WITH OCCUPANCY SENSORS MADE BY NEPTUN • AND MORE

### E26 / GU-24 ADAPTERS

Item Number	Description	Watts MAX.	Voltage	Line Current MAX.	Colors Available	Type
E 26 / GU-24-PL	E 26 / GU-24 Adapter	600	600	1 A	White	Permanent Locking
E 26 / GU-24-NL	E 26 / GU-24 Adapter	600	600	1 A	White	Non-Locking

### Features and Benefits

- \* Saves up to 70% energy with comparable light output
- \* Color Temperature of 2700°K: Matching incandescent G lamps
- \* High Luminous Efficiency: Up to 57 Lm/W
- \* Wide range of operation temperatures: 0°F - 140°F
- \* New! Patented Amalgam Technology: Any working position with stable light output
- \* Superior Lumen Maintenance of 83% after 3,200 Hours of use



NEPTUN LIGHT, Inc.  
service@neptunlight.com  
Tel. 1-847-735-8330  
Toll Free: 1-888-735-8330



© Copyright 2008 NEPTUN LIGHT, Inc.