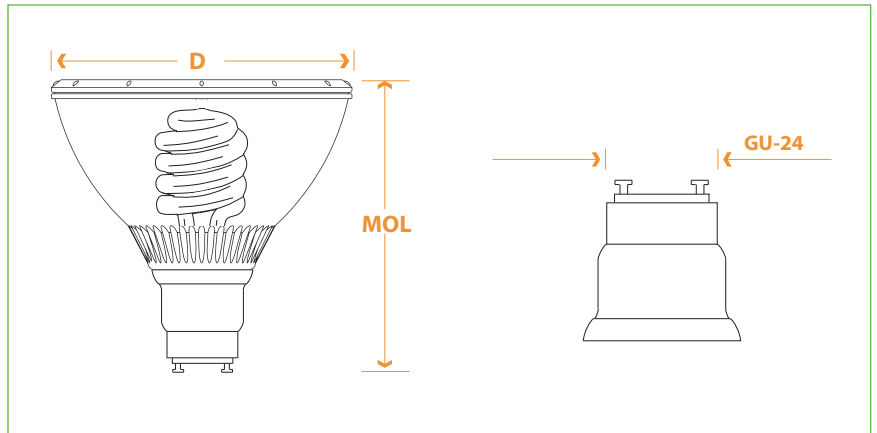


# CFL-PAR™ 38

## GU24 FLOODLIGHT

# New! Narrow Flood and Glare Free

## GU-24 TYPE



### Technical Data

CFL-PAR™38 Electronic, NPF, GU-24 Base, 120VAC- 50/60Hz, 8,000 Hours Average Life											HALOGEN-PAR 38		
Item Number	Watts	Input Line Current	Power Factor	THD	M.O.L. (Inch)	(D) Diameter (Inch)	Color Temp. (°K)	CRI	Lumens	Lm/W	Watts	Lumens	Lm/W
93823-GU	23	0.35 A	>0.50	<150%	4.875	4.75	2700	>82	1030	45	75	1030	14
93820-GU	20	0.30 A	>0.50	<150%	4.875	4.75	2700	>82	930	47	65	930	14
93818-GU	18	0.27 A	>0.50	<150%	4.875	4.75	2700	>82	800	44	60	800	13
93814-GU	14	0.21 A	>0.50	<150%	4.875	4.75	2700	>82	630	45	45	630	14

APPLICATION INFORMATION: TO BE USED WITH TRACK LIGHTS • RECESSED CANS • WARDROBE CLOSETS • DRIVEWAYS • WALKWAYS • YARDS & GARDENS OPEN & TOTALLY ENCLOSED FIXTURES • USE WITH OCCUPANCY SENSORS MADE BY NEPTUN • AND MORE

### E26 / GU-24 ADAPTERS

Item Number	Description	Watts MAX.	Voltage	Line Current MAX.	Colors Available	Type
E 26 / GU-24-PL	E 26 / GU-24 Adapter	600	600	1 A	White	Permanent Locking
E 26 / GU-24-NL	E 26 / GU-24 Adapter	600	600	1 A	White	Non-Locking

### Features and Benefits

- \* New! Patented design for direct replacement of halogen Par38 lamps
- \* Exact size as Halogen Par38
- \* Saves up to 70% energy with comparable light output
- \* Color Temperature of 2700°K: Interior Designer's Choice
- \* 60° Narrow Floodlight and Glare Free Reflector
- \* High Luminous Efficiency: Up to 47 Lm/W
- \* Wide range of operation temperatures: 0°F - 120°F
- \* New! Patented Amalgam Technology: Any working position with stable light output
- \* Superior Lumen Maintenance of above 80% after 3,200 hours of use
- \* Electronic ballast with End of Life Protection
- \* Indoor or Outdoor



NEPTUN LIGHT, Inc.  
 service@neptunlight.com  
 Tel. 1-847-735-8330  
 Toll-Free: 1-888-735-8330



**NEPTUN**  
 LIGHT



© Copyright 2008 NEPTUN LIGHT, Inc.